

ACE

Hand Pallet Trucks

Capacity : 2.5Tons

High Performance & rugged
Hand Pallet Truck

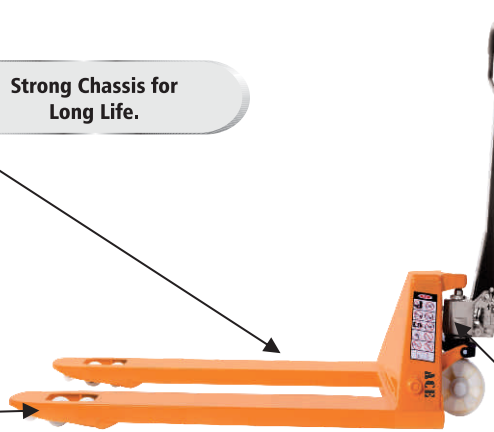
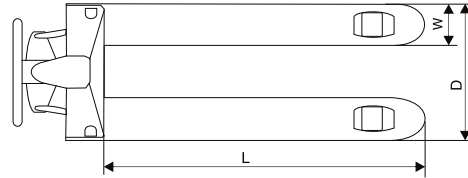
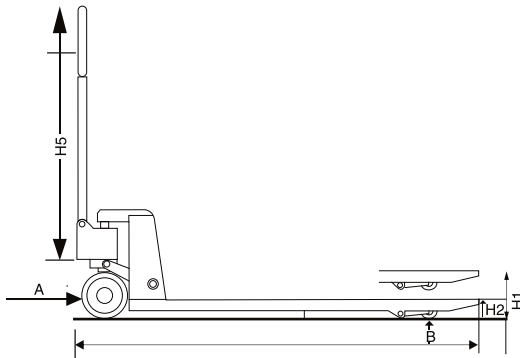
ACE INDIA'S NO. 1
CRANE BRAND





Technical Specifications

	Model		HPT25N	HPT25W	HPT25SS	HPT25G	HPT20WS
	Type		Narrow	Wide	Stainless Steel	Galvanized	Weighing Scale
Q	Load capacity /Rated Load	Kgs	2500	2500	2500	2500	2000
H 1	Lift Height	mm	200	200	200	200	200
H 2	Lowered Fork Height	mm	85	85	85	85	85
	Pump		Integrated Pump	Integrated Pump	Stainless steel Pump	Integrated Pump	Integrated Pump
	Wheel (Drive/Load) Type		Nylon	Nylon	Nylon	Nylon	Nylon /PU
A	Size of Steering Wheel	mm	180x50	180x50	180x50	180x50	180x50
B	Size of loading Wheel	mm	80x70	80x70	80x70	80x70	80x70
D	Width Across Fork	mm	550	685	550/685	550/685	550/685
L	Fork Length	mm	1150	1150	1150	1150	1150
W	Fork Width	mm	160	160	160	160	180
H5	Height of Tiller	mm	1220	1220	1220	1220	1220
	Service Weight	Kgs	70	72	80/84	72/76	124/128
	Turning radius	mm	1370	1385	1370/1385	1370/1385	1370/1385



100% Swadeshi



MARKETING H.Q.

Action Construction Equipment Ltd.

4th Floor, Pinnacle, Surajkund, NCR-121009

Ph. : +91-129-4550000, Fax : +91-129-4550022

E-mail: whe@ace-cranes.com, forklifts@ace-cranes.com

ACE