

ACE

Reach Truck



Capacity : 1.2 T- 2.0 T

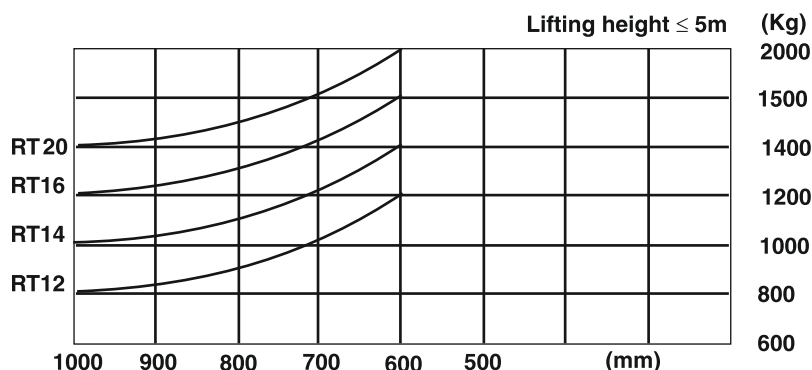
High Performance & rugged
Reach Truck

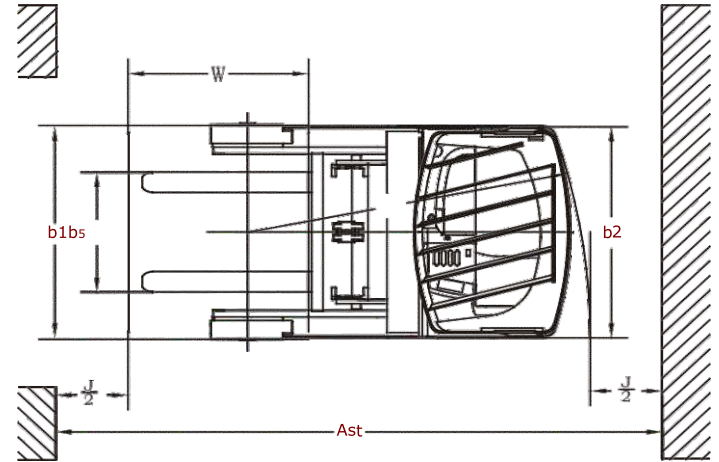
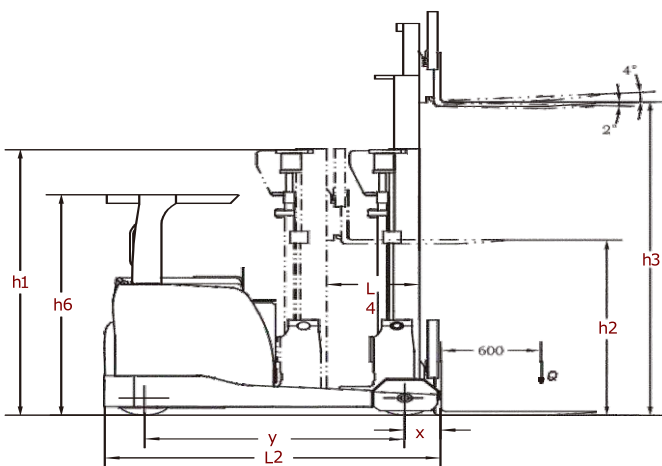
ACE INDIA'S NO. 1
CRANE BRAND



	Description	Unit	Technical Specifications					
			RT12	RT14	RT16	RT20		
General	1	Manufacture	ACE					
	2	Model						
	3	Power Type	Battery					
	4	Rated Capacity	Kg	1200	1400	1600	2000	
	5	Load Center	mm	600				
Dimensions	6	Lift Height	mm	3000				
	7	Free Lift		340				
	8	Fork Size L x W x T	mm	1070 x 122 x 40				
	9	Fork Spread (out side) Min./ Max.	mm	244 / 882				
	10	Mast Tilt Range (Forward/Backward)	deg	2/4				
	11	Axle Centre to Fork Face	mm	308		218	288	
	12	Overall Dimensions	Length to Face of Fork	mm	1935		2005	
	13		Overall Width	mm	1270		1286	
	14		Mast Lowered Height	mm	2100			
	15		Mast Extended Height	mm	3565			
	16		Overhead Guard Height	mm	2200			
17	Turning Radius (Outside)	mm	1735			1804		
18	Aisle Width for pallets	1000 x 1200 crossways	mm	2855	2921	2935		
19		800 x 1200 Lengthways	mm	2915	2995	3000		
Performance	20	Speed	Travel	Km/h	10.3			
	21		Lifting (Full Load)	mm/sec	280	280	280	
	22	Reach Distance	mm	525	435	505		
	23	Max.Gradeability (Full Load)	%	10				
24	Self Weight	Kg	3110	3300	3320			
Wheels & Tires	25	Wheels (diameterxwidth)	Front	mm	285 x100		343 x 108	
	26		Drive	mm	343 x 114			
	27	Wheelbase	mm	1480			1550	
	28	Ground Clearance (Minimum)	mm	70				
Drive Units & Control	29	Battery	Model		D - 400B		D - 500B	
	30		Voltage /Capacity(5HR)	V/AH	48 / 400		48 / 500	
	31		Weight (With Box)	Kg	760		900	
	32	Electric Motors	Drive	Kw	6.5			
	33		Load	Kw	12.8		14.5	
	34		Steering	Kw	0.67			
	35	Control	Manufacture		CURTIS			
	36		Type		AC			

LOAD CHART





Max Fork Height(mm)	Load Capacity @ 600mm MFH (KGS)				Mast Lowered Height (mm)	Mast Extended Height(mm)	Free Lift Height (mm)	
	RT12	RT14	RT16	RT20			1.2T - 1.6 T	2.0 T
4500	1200	1400	1600	2000	2165	5230	1445	1445
6000	1200	1200	1400	1800	2665	6730	1945	1945
6500	1100	1100	1300	1700	2815	7230	2095	2095
7000	1000	1000	1200	1600	2975	7730	2255	2255
7500	1000	1000	1200	1600	3230	8190	2540	2540
8000	900	900	1100	1500	3400	8670	2730	2730
8500	800	800	1000	1400	3630	9170	2960	2960
9000	700	700	900	1300	3860	9670	3186	3186
9500	-	-	850	1200	4030	10170	3360	3360
10000	-	-	800	1150	4200	10680	3520	3520
10500	-	-	700	1100	4350	11170	3680	3680
11000	-	-	-	1050	4550	11670	3880	3880
11500	-	-	-	1000	4800	12200	4100	4100
12000	-	-	-	900	5050	12690	-	4360
12500	-	-	-	800	5300	13200	-	4600

Features :-

- **AC Motors** For Top Drive & Lift Performance.
- **Electronic Fork Control** Cushioning effect enables high lift / lowering speed but smooth operation.
- **Panoramic View** Excellent all-Around Visibility for Ease to Working.
- **Well Placed Control** Ensure comfort of operation.
- **Service & Maintenance** All major service components like Motors, Gearbox Brakes, Pump and Steering are easily accessible.

Standard Features :-

- PU(polyurethane) driving wheel and load wheels
- High-capacity battery
- Emergency power off switch
- 4 spools control valves
- Stepless speed regulation for lifting operation
- Electrical buffer for forward and backward movements
- Arm cushion, and impact-proof head cushion
- Adjustable seat with OPS switch
- Full computer control for driving, steering
- Standard configuration of 360-degree steering mode
- Adjustable steering wheel
- Front wheel protection hood
- Safety pedal
- Descending self-locking in case of power failure

Optional Features :-

- 2.7-5.0m duplex mast, built-in-side shifter, fork tilting
- 4.3m-12.5m full-free triplex mast built-in-side shifter, fork tilting
- Various fork lengths
- High-performance battery
- Optional large capacity battery 420Ah, 560Ah
- Full automatic high-frequency charger
- Other attachments
- Larger load backrest
- Height monitoring system
- Lifting height limitation system
- Alarm lamp, rear headlamp or other lamps
- Reverse buzzer
- Camera & Height Indicator

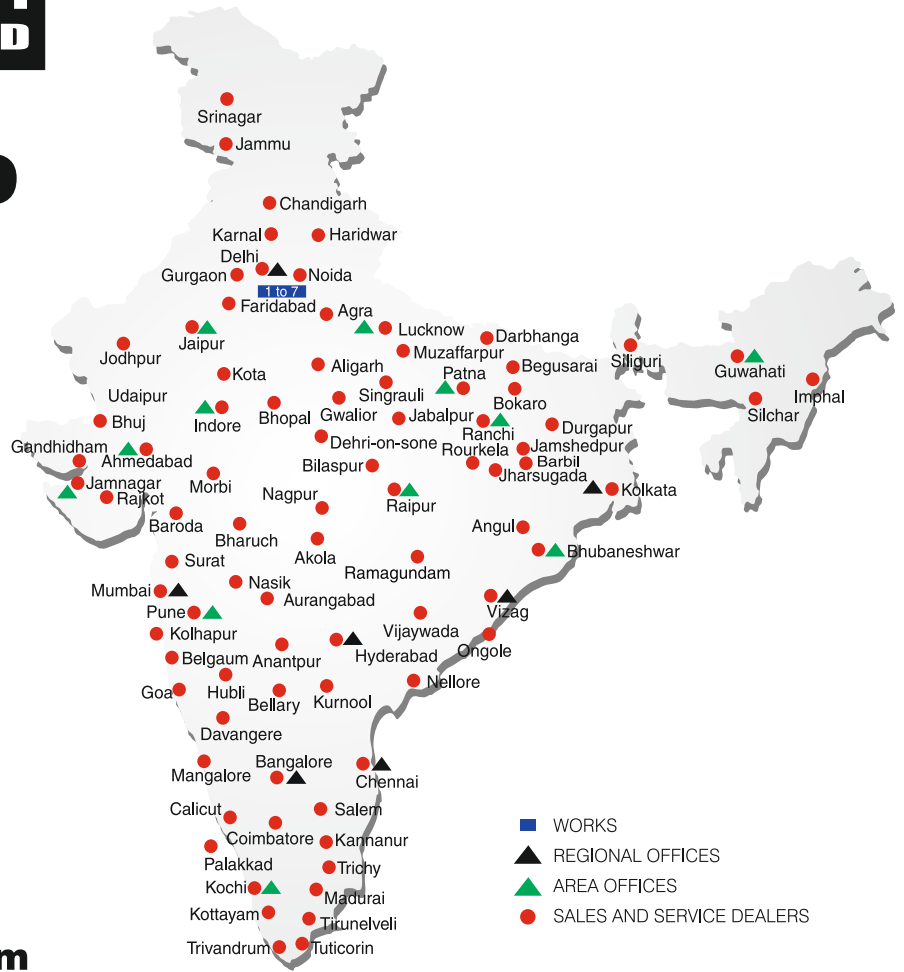


BUILT TO PERFORM



**RELIABLE AND
DEPENDABLE
EFFICIENCY**

NETWORK



www.ace-cranes.com

MARKETING H.Q.

4th Floor, Pinnacle
Surajkund, NCR-121009
Ph. : +91-129-4550000
Fax : +91-129-4550022
E-mail: marketing@ace-cranes.com

REGISTERED OFFICE

Dudhola Link Road, Dudhola
Palwal-121102, Haryana
Ph.: +91-1275-280111
Fax: +91-1275-280133
CIN : L74899HR1995PLC053860

MUMBAI OFFICE

31, "Kalpataru Court"
Chembur, Mumbai - 400074
Ph.: +91-22-25206846, 25207070
Fax: +91-22-25207071
E-mail: acemumbai@ace-cranes.com

KOLKATA OFFICE

"Forma Towers" 84-A, Second Floor
AJC Bose Road, Kolkata - 700014
Ph.: +91-9038070630
E-mail: acekolkata@ace-cranes.com

CHENNAI OFFICE

1st Floor, "Alsa Regency", 165
Eldams Road, Alwar Pet
Chennai - 600018
Ph.: +91-44-24314253
Fax: +91-44-24314252
E-mail: acechennai@ace-cranes.com

HERE TO SERVE YOU.

SPARE PARTS & SERVICE

ACE has all India Sales and Service network operating out of all the major cities. These outlets are fully equipped to provide genuine spare parts and services by company trained engineers. These outlets are further supported by company officials based at Delhi, Mumbai, Chennai, Kolkatta, Ahmedabad, Surat, Pune, Jaipur, Chandigarh, Ranchi, Raipur, Indore, Bhubneshwar, Lucknow, Jamnagar, Hyderabad, Bangalore, Guwahati, Patna, Vizag & Kochi.



Action Construction Equipment Ltd.

Contact:



ACE reserves the right to alter any specifications without prior notice. Dimensions, weights & capacities mentioned herein are variable by ± 5%. Accessories if shown are not part of the Standard Equipment.