



ACE

Powered Pallet Truck

Capacity : 2.5T - 3.0T

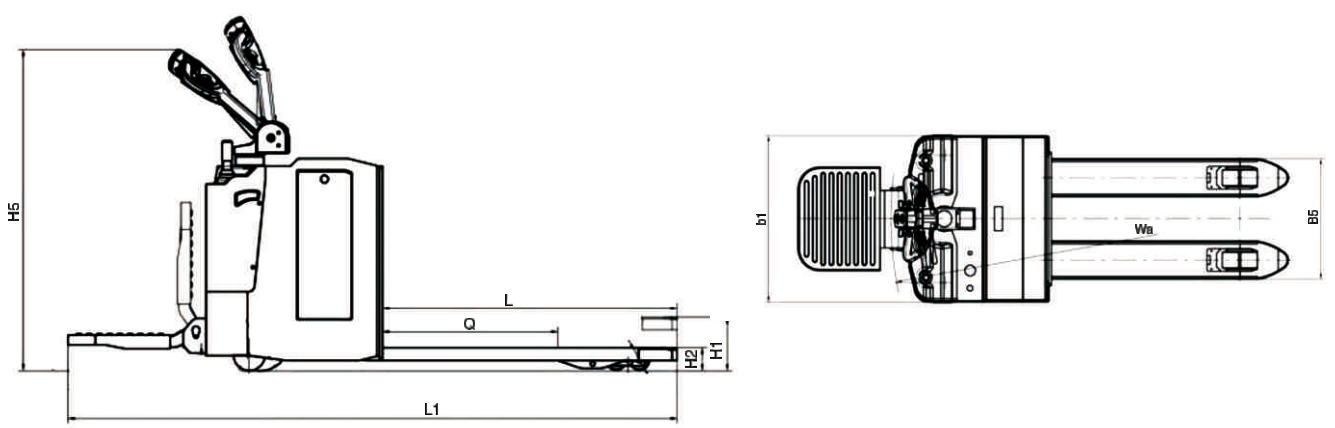
High Performance & rugged
Powered Pallet Truck

ACE INDIA'S NO. 1
CRANE BRAND





		Model	Units	RPT25 N	RPT25 W	RPT30
1.1	q	Capacity	Kg	2500		3000
1.2	c	Load Center	mm	600		
1.3		Operator Type		Rider		
1.4		Protect Arm		For option		
1.5		Electric Power Steering (EPS)		Optional		Curtis EPS
2.1	h1	Lifting height	mm	85- 200		
2.12	h	Max.Fork Lifting Height	mm	200		
2.13	h2	Lowered Hight of Fork	mm	85		
2.14	h5	Tiller arm height (Min./Max)	mm	1030/1200		
2.15	h4	Rear body height	mm	800		
2.2	b1	Standard Fork Width	mm	550	685	550 / 685*
2.3	l	Fork Length(LxWxH)	mm	1150x185x54		
2.6	l1	Overall Length	mm	2375		
2.7	l2	Rear Length	mm	585		
2.8	b1	Overall width	mm	780		
2.9	wa	Minimum Turning Radius	mm	1720		
2.9 1	Ast	Aisle width(800*1200)mm	mm	2300		
2.9 2	Ast	Aisle width(1000*1200)mm	mm	2400		
3.1		Travel Speed (Laden)	Km/H	5		
3.2		Travel Speed (Unladen)	Km/H	5.3		
3.3		Lift Speed (Laden)	MM/S	35		
3.4		Lift Speed (Unladen)	MM/S	45		
3.5		Lower Speed(Laden)	MM/S	50		
3.5		Lower Speed(Unladen)	MM/S	40		
3.6		Gradeability(Laden)	%	(2/5)		
3.7		Gradeability(Unladen)	%	(6/9)		
4.1		Service Weight without battery	Kg	490		
4.2		Service Weight with battery	Kg	700		
5.1		Wheel (drive/load) Type		Polyurethane		
5.2		Wheels Quantity	pcs	(1/2/4)		
5.3	d1	Size of Steering wheel	mm	230		
5.4	d2	Size of Loading wheel	mm	78		
5.5		Size of balance wheel	mm	124		
5.6	y	Wheel base	mm	1435		
6.1		Traveling Motor	Kw	1.5(Vertical)(AC)	1.5(Vertical)(AC)	2.2(Vertical KDS)(AC)
6.2		Lifting Motor	Kw	2.2		3
6.3		Battery Voltage	V/Ah	24/225		
6.4		Maximum Battery box Size (L*W*H)	mm	790x210x576		
6.5		Traveling Brake		Regenerate		
6.6		Brake Type		Electromagnetic		
6.7		Control System		CURTIS Controller		
6.8		Transmission		Standard	Standard	ZF



Specifications :-

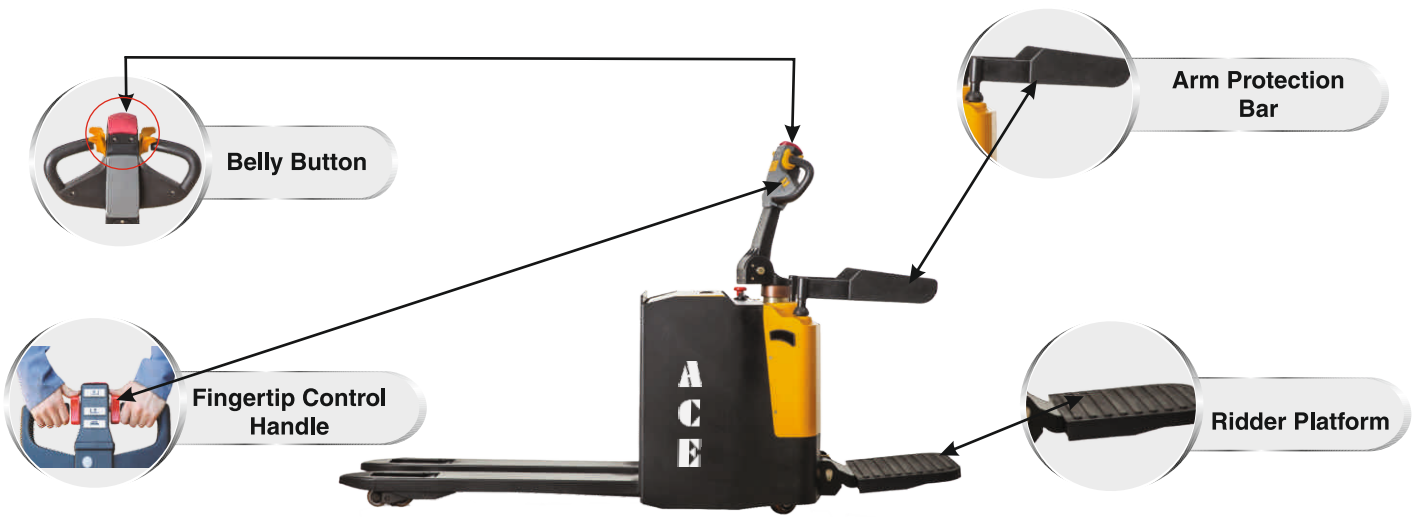
- ❖ RPT20/25/30 as a stand-on driving type electric truck suitable for high strength condition use, it provides users with safe, comfortable, reliable logistic solutions.
- ❖ The optional EPS system can reduce the labor intensity. The AC driving motor provides constant strong power and it is maintenance free.
- ❖ Standard equipped with large 225Ah capacity battery, can meet customers' requirement of continuous working, side-way battery design is convenient for the customer to replace the battery, Metal cover provide strong protection.
- ❖ Size reduced cover plate, more sense of design, easier maintenance.
- ❖ Full steel cover protect from scrapes, reinforced safe assurance to core parts. No more need to worry about tiny daily damage on appearance and the resulting influence to internal systems.
- ❖ Laser cut all frame parts, high accuracy, neat and clean.
- ❖ Side slidable battery box, 30% faster in fork falling, designed for saving your precious time.
- ❖ Innovative slide rail lifting structure, lower abrasion, improved power efficiency, designed for handling heavy usage. Save time and trouble
- ❖ Wider rider platform, good set-up spring shock absorber, more space of standing, more sense of comfortable, longer work life.

Standard Features :-

- ❖ Belly Button.
- ❖ Horn.
- ❖ Electronic braking System.
- ❖ Electronic Regenerative Brake.
- ❖ **B D I** (Battery Discharge Indicator).
- ❖ Lower & Lifting Switch.
- ❖ Battery & Charger.
- ❖ Climber Wheels.
- ❖ Emergency Cut-off Switch.

Optional Features :-

- ❖ Rider Platform.
- ❖ **EPS** System (Electric Power Steering).
- ❖ Arm Protection Bar

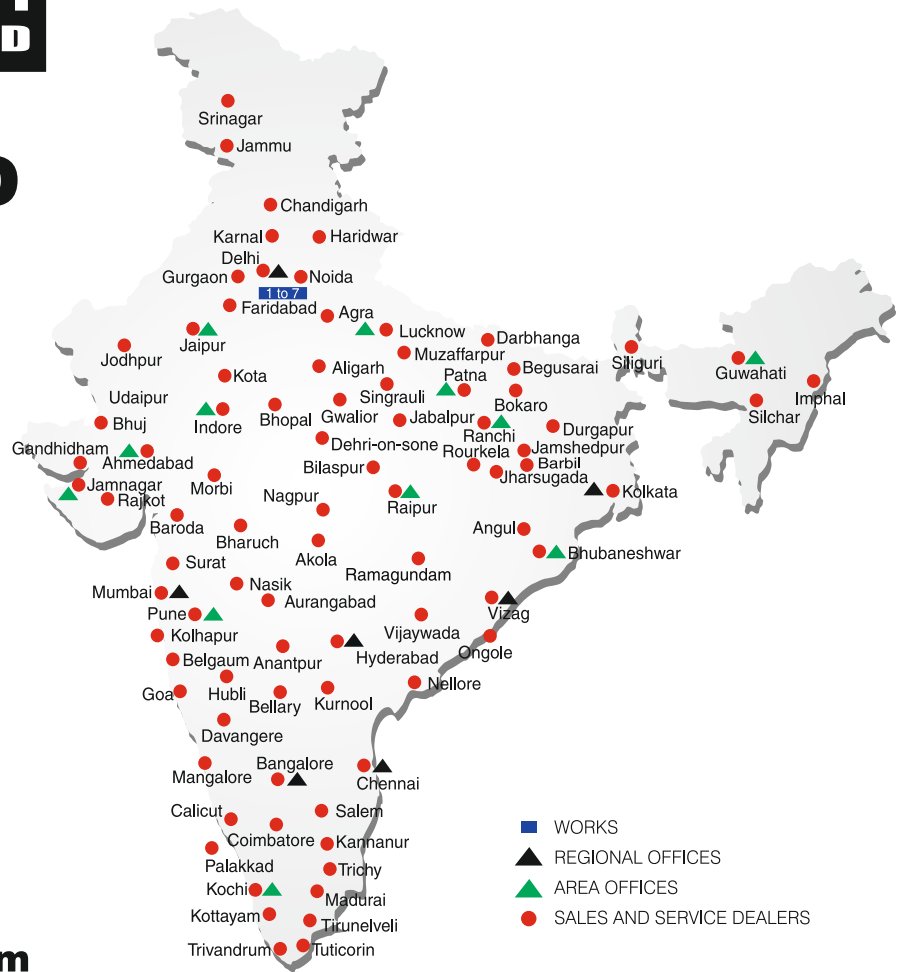


BUILT TO PERFORM



**RELIABLE AND
DEPENDABLE
EFFICIENCY**

NETWORK



**Toll Free Help Line
1800 1800 004**

www.ace-cranes.com

MARKETING H.Q.

4th Floor, Pinnacle
Surajkund, NCR-121009
Ph.: +91-129-4550000
Fax: +91-129-4550022
E-mail: forklifts@ace-cranes.com
whe@ace-cranes.com

REGISTERED OFFICE

Dudhola Link Road, Dudhola
Palwal-121102, Haryana
Ph.: +91-1275-280111
Fax: +91-1275-280133
CIN : L74899HR1995PLC053860

MUMBAI OFFICE

31, "Kalpataru Court"
Chembur, Mumbai - 400074
Ph.: +91-22-25206846, 25207070
M : +91- 7718891464
E-mail: forkliftswest@ace-cranes.com

KOLKATA OFFICE

"Forma Towers" 84-A, Second Floor
AJC Bose Road, Kolkata - 700014
Ph.: +91-7604064440
E-mail: forkliftseast@ace-cranes.com

CHENNAI OFFICE

1st Floor, "Alsa Regency", 165
Eldams Road, Alwar Pet
Chennai - 600018
Ph.: +91-44-24314253
M : +91-9600013144
E-mail: forkliftssouth1@ace-cranes.com

HERE TO SERVE YOU.

SPARE PARTS & SERVICE

ACE has all India Sales and Service network operating out of all the major cities. These outlets are fully equipped to provide genuine spare parts and services by company trained engineers. These outlets are further supported by company officials based at Delhi, Mumbai, Chennai, Kolkatta, Ahmedabad, Surat, Pune, Jaipur, Chandigarh, Ranchi, Raipur, Indore, Bhubneshwar, Lucknow, Jamnagar, Hyderabad, Bangalore, Guwahati, Patna, Vizag & Kochi.



Action Construction Equipment Ltd.

Contact:



ACE reserves the right to alter any specifications without prior notice. Dimensions, weights & capacities mentioned herein are variable by $\pm 5\%$. Accessories if shown are not part of the Standard Equipment.