

ACE

Dock Leveler

Capacity : 10-15 Tons

High Performance & rugged
Hydraulic Dock Leveler



**INDIA'S NO. 1
CRANE BRAND**



TECHNICAL SPECIFICATIONS

		ACE Dock Leveler		
Model			ADL 10	ADL 15
Capacity:	Static Load	Kg.	6000	10000
	Dynamic Load	Kg.	9000	15000
Working Height	Above	mm	450	450
	Below	mm	200	200
Dimensions				
Platform	Length	mm	2700	2700
	Width	mm	2100	2100
	Lip Extension	mm	400	400
	Dock Height	mm	1200	1200
Pit Size :	Length	mm	2725	2725
	Width	mm	2150	2150
	Depth	mm	500	500

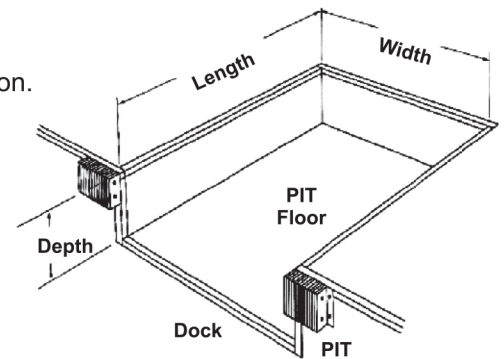
Note: Platform dimension and Capacity can be customized as per special requirement

Application / Uses

- To bridge the gap between loading dock and vehicle floor.
- Standard dock height of 1200 mm. Varied vehicle floor height from 1000 mm to 1650 mm can be served.
- Typical application is truck loading/unloading & container stuffing/de-stuffing.

Standard Features:

- Robust built structure.
- Anti-skid heavy duty checkered plate platform.
- Single Cylinder design.
- Compact & reliable hydraulic power pack for safe, smooth & jerk free operation.
- Automatic folding of lip by push button operations.
- Power saver control with motor 'ON' only for lifting.
- Simple control pannel with single push button control with 3 phase indicator.
- High quality gear coupling flow control, contractors and transformers.
- Direction control valve.
- Sequential valve ensures proper sequencing of operation.
- Easy & simple maintenance.

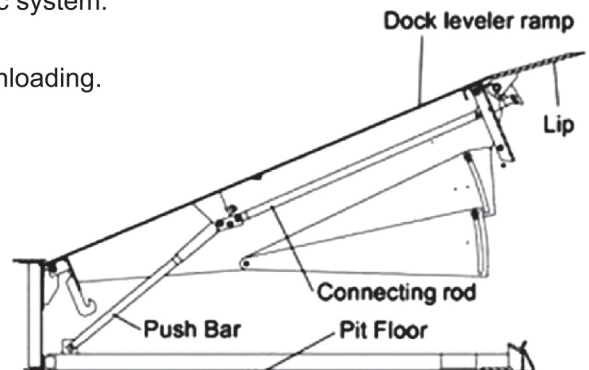


Safety:

- Relief valve : for over load protection.
- Wiper seal: It prevents ingress of dust and safety in the hydraulic system.
- Stay put condition in case of power failure.
- Automatic Leveling and lip locator to ensures the safe loading/unloading.

Optional Features:

- Rubber bumpers for vehicle back up and protection.
- Twin cylinder can be provided on request.
- Customized platform and capacity on request.
- Any sensor and additional features on request.



Note: Right to make changes reserved for any technical, dimensional and improvement.

Forklifts & Warehousing Equipment

High Performance & rugged
Material Handling Equipment



*Nothing beats an **ACE***

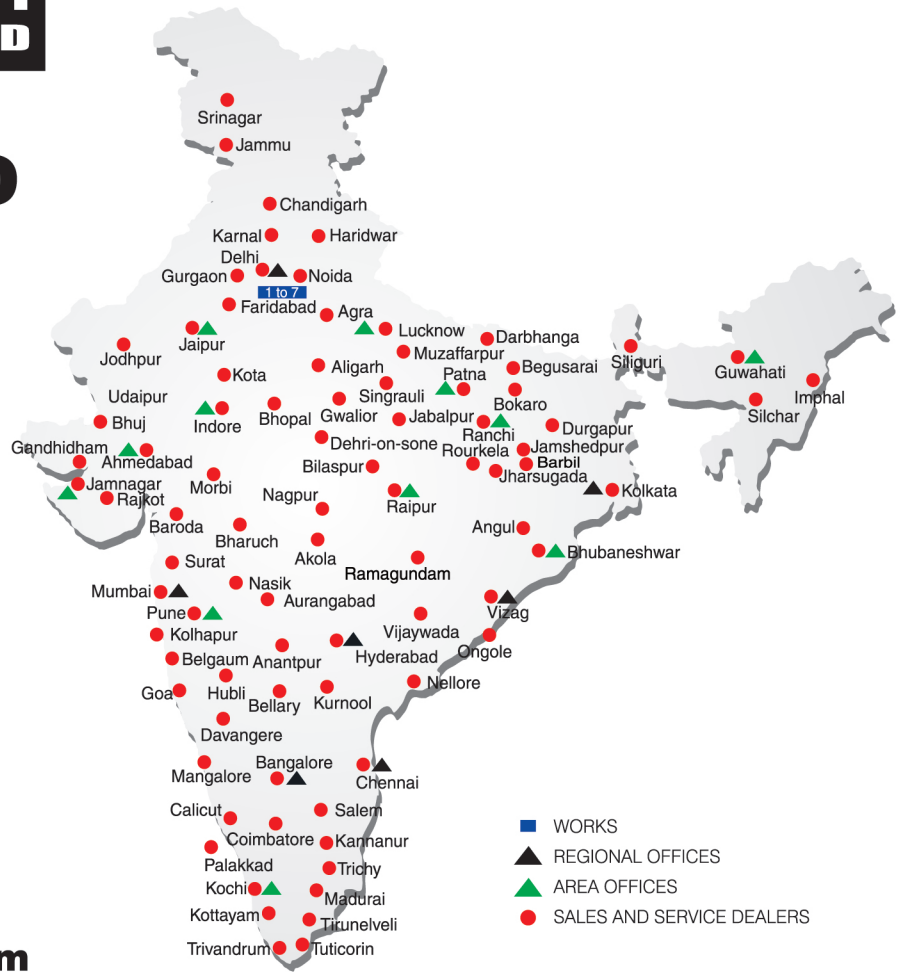


BUILT TO PERFORM



**RELIABLE AND
DEPENDABLE
EFFICIENCY**

NETWORK



**Toll Free Help Line
1800 1800 004**

www.ace-cranes.com

MARKETING H.Q.

4th Floor, Pinnacle
Surajkund, NCR-121009
Ph. : +91-129-4550000
Fax : +91-129-4550022
E-mail: marketing@ace-cranes.com

REGISTERED OFFICE

Dudhola Link Road, Dudhola
Palwal-121102, Haryana
Ph.: +91-1275-280111
Fax: +91-1275-280133
CIN : L74899HR1995PLC053860

MUMBAI OFFICE

31, "Kalpataru Court"
Chembur, Mumbai - 400074
Ph.: +91-22-25206846, 25207070
Fax: +91-22-25207071
E-mail: acemumbai@ace-cranes.com

KOLKATA OFFICE

"Forma Towers" 84-A, Second Floor
AJC Bose Road, Kolkata - 700014
Ph.: +91-9038070630
E-mail: acekolkata@ace-cranes.com

CHENNAI OFFICE

1st Floor, "Alsa Regency", 165
Eldams Road, Alwar Pet
Chennai - 600018
Ph.: +91-44-24314253
Fax: +91-44-24314252
E-mail: acechennai@ace-cranes.com

HERE TO SERVE YOU.

SPARE PARTS & SERVICE

ACE has all India Sales and Service network operating out of all the major cities. These outlets are fully equipped to provide genuine spare parts and services by company trained engineers. These outlets are further supported by company officials based at Delhi, Mumbai, Chennai, Kolkata, Ahmedabad, Surat, Pune, Jaipur, Chandigarh, Ranchi, Raipur, Indore, Bhubneswar, Lucknow, Jamnagar, Hyderabad, Bangalore, Guwahati, Patna, Vizag & Kochi.



Action Construction Equipment Ltd.

Contact:



ACE reserves the right to alter any specifications without prior notice. Dimensions, weights & capacities mentioned herein are variable by ± 5%. Accessories if shown are not part of the Standard Equipment.